

friendlyway butler 17[®]



A Jack-of-All-Trades

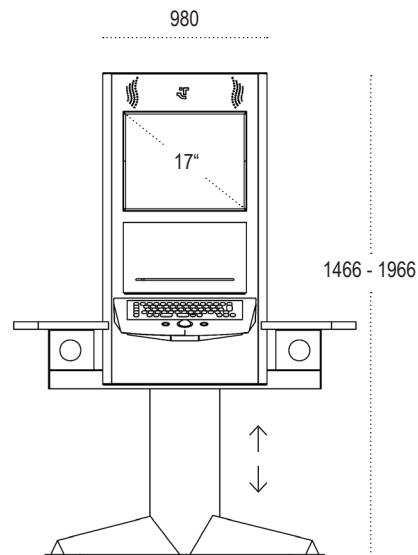
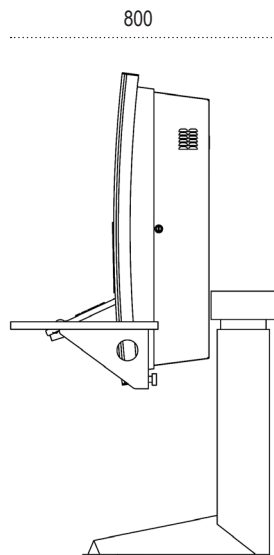
In the field of easy access (barrier-free) kiosks, the friendlyway butler 17 has been setting new standards.

The height of this kiosk adapts to the user at the press of a button, making it ideally suited to medical centers, official buildings, and tourism hotspots.

Like all the other friendlyway terminals, the butler 17 features an enticing surface made of anodized aluminum or high-gloss lacquer. The multifunction front panel ensures a high level of component flexibility, and despite its compact housing, the friendlyway butler 17 has a powerful modern computer at its core.

The kiosk is available in two depth sizes to meet your individual technological requirements. For added installation flexibility, the friendlyway butler 17 can be supplied as a free-standing or wall-mounted kiosk.





Technical Data

friendlyway butler 17

Specifications

- 17" (resolution: 1280 x 1024 pixels), 50 kg
- 980 * 1466 bis 1966 * 800 mm (width * height * depth), 80 kg
- Luminance: 300 cd/qm
- View angle: 160° / 160°
- Touch option: SAW, Surface Acoustic Wave
- CPU: Small Form Factor PC, Dell™ Optiplex™ 760 (or comparable performance)
- Housing: Anodized aluminum front panel, chrome-plated side panels, powder-coated metal rare panel. The terminal can be unlocked on the side and opened from the front. The stable hinge drive mechanism is suitable for rugged applications.
- Power supply: Internal 85 - 265 VAC
- Ambient temperature: +5°C - +35°C
- Location: Indoor

Highlights

- Unsurpassed design
- High-end construction
- Versatile
- Latest CPU technology
- Numerous configurations available
- Quick and simple integration of customer-specific hardware

Special Equipment

- Integrated hi-fi loudspeakers
- Touchscreen (normal or shock resistant)
- Keyboard (plastic or vandal-proof stainless steel)
- Magnetic strip and chip card reader
- Thermal printer (58 mm to DIN A4)
- Payment functions (coin and bank note verification)
- Wireless networking (WLAN)
- Telephone options (analog and VoIP)
- Webcam
- Barcode reader
- Foil label to personalize the kiosk with your corporate identity
- Heated system
- Further configuration options on request

Areas of Application

- Barrier-free access via electrical adjustment
 - Individually adjustable for all users
- Visitor welcome station, information Kiosk, virtual concierge solution, employee terminal, navigation system, game station for restaurant, virtual registration kiosk, museum (exhibition)