

friendlyway d-sign 12[®]



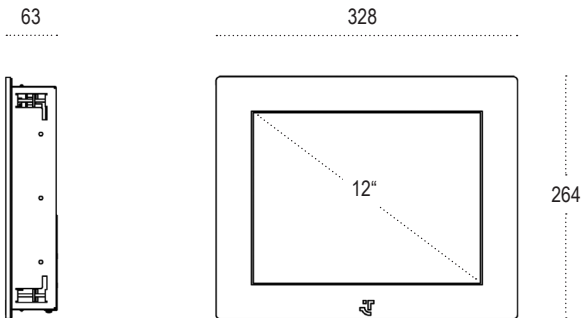
Digital Designer Doorsign

The friendlyway d-sign product range integrates high-performance multimedia computers with elegant modern display technology.

The friendlyway d-sign 12 is a compact model that is especially suitable for digital room signs. Additionally, the small-scale display is easy to integrate into exhibition concepts; the friendlyway d-sign 12 features a fanless PC, so it can be mounted flush into walls.

The terminal is fully touch-screen capable, which is another advantage for trade-shows info presentations. Connecting the friendlyway d-sign 12 to your existing computer network is a quick and easy process.

A wide range of case options are available: The friendlyway d-sign 12 can be ordered with a frame made of glass, brass, copper, stainless steel, chrome, or wood.



Technical Data

friendlyway d-sign 12

Specifications

- 12" (resolution: 800 x 600 pixels)
- 328 * 264 * 63 mm (width * height * depth), 10 kg
- View angle: 130° / 130°
- Luminance: 400 cd/qm
- Touch option: Resistiv 4 Wire
- CPU: Intel® Atom™ 1,6 GHz (270 N), 1 GB Ram, 160 GB HDD (or comparable performance)
- Housing: **Anodized aluminum front panel**, powder-coated metal shell
- Power supply: External 85 - 265 VAC
- Ambient temperature: +5°C - +35°C
- Location: Indoor, recessed wall mounting

Highlights

- High-end construction
- Unsurpassed design
- Reliable component assortment
- Versatile
- Latest CPU technology

Special Equipment

- Display frame also available in plexiglas or any RAL color
- Other configuration options available on request

Areas of Application

Interior signage / space management (Door Sign), Waiting room solution, Cueing System, Virtual Registration and reception kiosk, Trade fair, Retail store, Museum (Exhibition)